

OXYGEN SUBSECTION**TABLE OF CONTENTS**

<i>Fig. No.</i>	<i>Title</i>	<i>Page</i>	<i>Fig. No.</i>	<i>Title</i>	<i>Page</i>
2.19-1	Liquid Oxygen System	2.19-2	2.19-4	Liquid Oxygen Tubing Installation	2.19-10
2.19-2	Liquid Oxygen Equipment Installation	2.19-4	2.19-5	Liquid Oxygen Tubing Installation	2.19-14
2.19-3	Liquid Oxygen Tubing Installation	2.19-6			

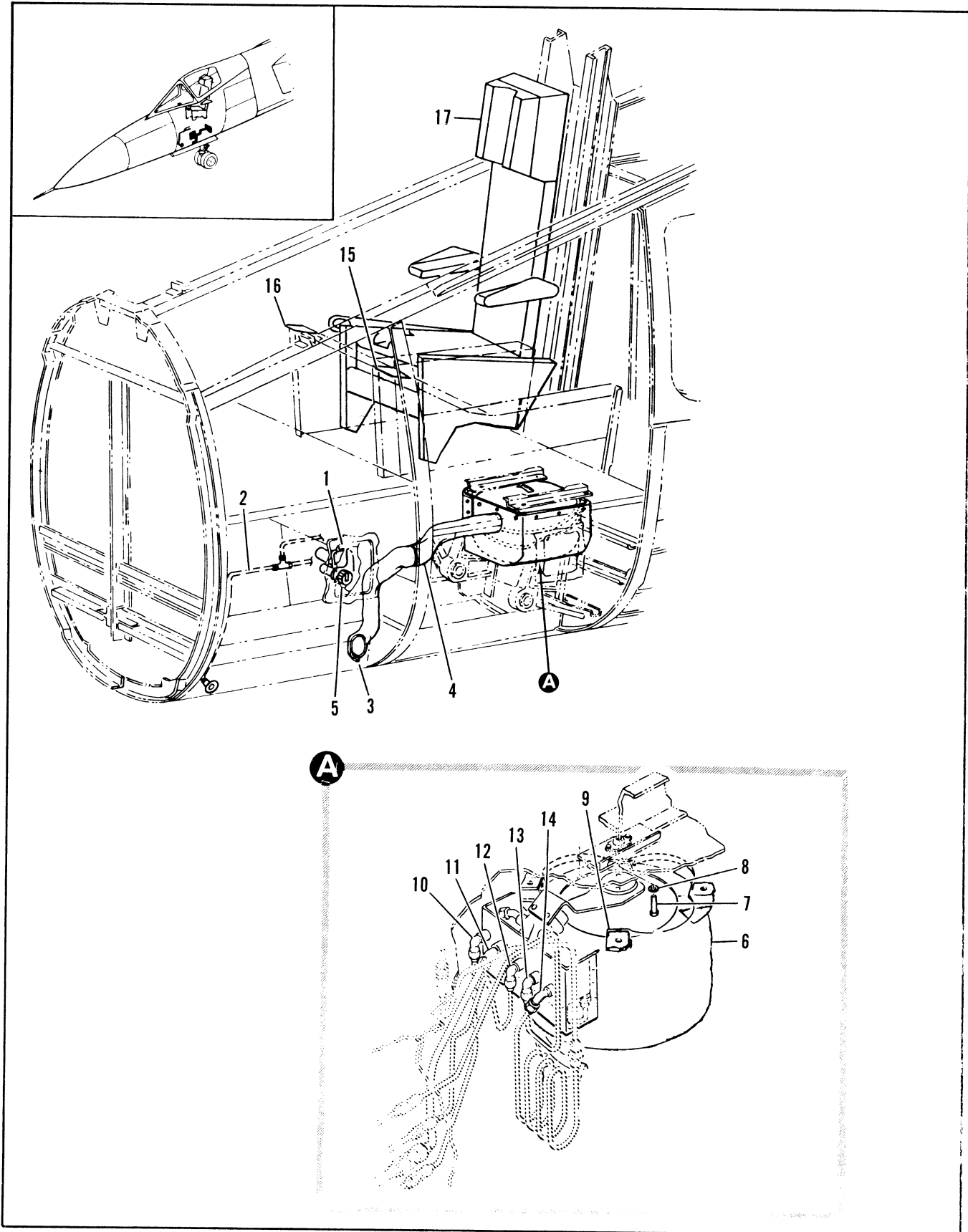


Figure 2.19-1. Liquid Oxygen System

FIGURE AND INDEX NUMBER	PART NUMBER	DESCRIPTION	UNITS PER ASSY.	USABLE ON CODE	
				FROM	TO
		1 2 3 4 5 6			
2.19-1		LIQUID OXYGEN SYSTEM			
- 1		• DOOR ASSY, LIQUID OXYGEN ACCESS SEE FIG. 2.2-2 INDEX 13	RF		
- 2		• TUBING INSTL, LIQUID OXYGEN SEE FIG. 2.19-3	RF		
- 3	8-92497 8-92496-3	• SHROUD INSTL, LIQUID OXYGEN TUBING • SHROUD ASSY, LIQUID OXYGEN TUBING FWD STITCHED	1 1	35 35	
- 4	8-92496-1 8-92496-5	• SHROUD ASSY, LIQUID OXYGEN TUBING AFT STITCHED REPLACED BY NOT INTCHG WITH 8-92496-5 • SHROUD ASSY, LIQUID OXYGEN TUBING AFT STITCHED REPLACES NOT INTCHG WITH 8-92496-1	1 1	35 30	89
- 5		• EQUIPMENT INSTL, LIQUID OXYGEN SEE FIG. 2.19-2	RF		
	8-92452-805	• CONVERTER INSTL, LIQUID OXYGEN MODIFIED BY 86J38491 FOR MHA SEE FIG. 2.1-1			
- 6	29333-1-E2	• CONVERTER ASSY, LIQUID TO GASEOUS OXYGEN (89251) 8-90226-3 T.O. 15X2-6-4-4 ATTACHING PARTS	1		
- 7	AN4-10A	• BOLT	4		
- 8	AN967C416	• WASHER	4		
- 9	8-99466	• HANGER	1		
- 10	MS20822-6D	• ELBOW	1		
- 11	MS20823-8D	• ELBOW	1		
- 12	MS20822-5-4D	• ELBOW	1		
- 13	MS20822-5D	• ELBOW	1		
- 14	MS20823-5D	• ELBOW	1		
- 15		• INDICATOR, LIQUID OXYGEN QUANTITY SEE FIG. 2.14-8	RF		
- 16		• REGULATOR ASSY, DILUTER DEMAND OXYGEN LH CONSOLE SEE FIG. 2.16-8	RF		
- 17		• SEAT ASSY, EJECTION	RF		

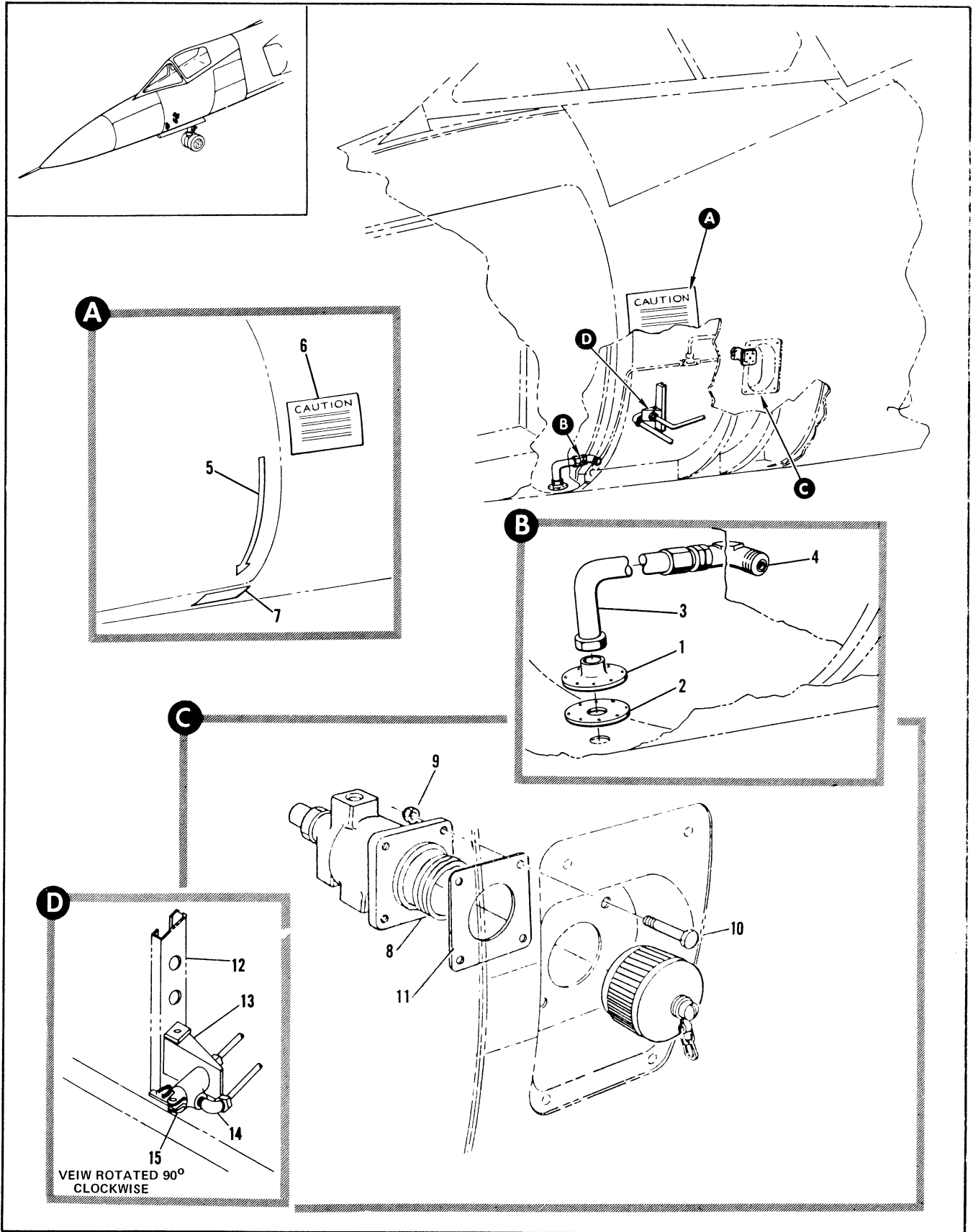


Figure 2.19-2. Liquid Oxygen Equipment Installation

FIGURE AND INDEX NUMBER	PART NUMBER	DESCRIPTION 1 2 3 4 5 6	UNITS PER ASSY.	USABLE ON CODE	
				FROM	TO
2.19-2	8-92452-809	EQUIPMENT INSTALLATION, LIQUID OXYGEN FOR NHA SEE FIG. 2.3-6	1		35
- 1	8-92492	• FITTING, LIQUID OXYGEN OVERBOARD VENT	1		35
- 2	8-92455-7	• SEAL, PORT LIQUID OXYGEN OVERBOARD VENT	1		35
- 3	8-92493	• TUBE ASSY, LIQUID OXYGEN OVERBOARD VENT	1		35
- 4	AN937-ED	• ELBOW	1		35
	AN924-ED	• NUT	1		35
	AN961PD1216	• WASHER	1		35
- 5	3-95567-0	• DECAL, MARKING AND STENCILING	1		35
- 6	3-95567-11	• DECAL, MARKING AND STENCILING	1		35
- 7	3-95567-17	• DECAL, MARKING AND STENCILING	1		35
- 8	8050	• VALVE ASSY, LIQUID OXYGEN PRESSURE BUILDUP AND VENT (81547)	1		35
	439800-3	• VALVE ASSY, LIQUID OXYGEN PRESSURE BUILD UP AND VENT, REPLACES 8050 ATTACHING PARTS	1		35
- 9	NAS679A3	• NUT	4		35
- 10	AN3-5A	• BOLT	4		35
		----X----			
- 11	8-92491	• SEAL, VALVE FILLER BUILDUP AND VENT	1		35
- 12	8-35152	• SUPPORT	PF		
- 13	64C33675-1	• BRACKET	1		
- 14	MS20R22-6-20	• ELBOW	1		
- 15	20C-0001-11	• VALVE, DRAIN, MIL-V-25962	1		

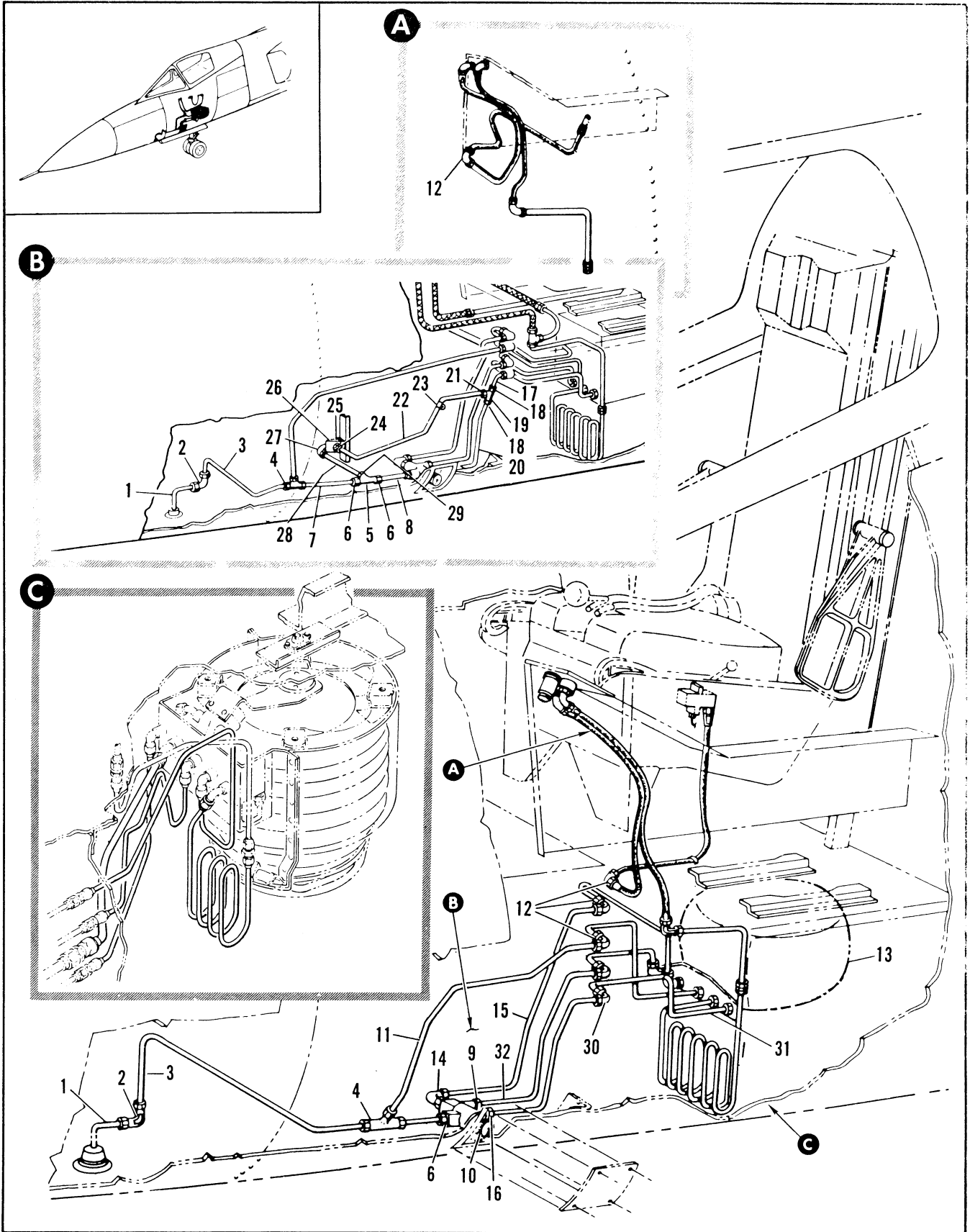


Figure 2.19-3. Liquid Oxygen Tubing Installation (Sheet 1 of 2)

FIGURE AND INDEX NUMBER	PART NUMBER	DESCRIPTION	UNITS PER ASSY.	USABLE ON CODE	
				FROM	TO
				1	2
2.19-3	3-92490	TURING INSTL. LIQUID OXYGEN MODIFIED BY 65J3-401 FOR IHA SEE FIG. 2.3-5	RF		
- 1		. TUBE ASSY, LIQUID OXYGEN OVERBOARD VENT SEE FIG. 2.19-2 INDEX 3	RF		
- 2	AN837-8D	. ELBOW	1	35	60
	AN924-8D	. NUT	1	35	60
	AN940D12-16	. WASHER	1	35	60
- 3	3-92490-20	. TUBE ASSEMBLY	1	35	60
- 4	3-92470	. TEE, ALTERED FROM AN824-8D	1	35	60
- 5	AN93804	. TEE	1		
- 6	AN315-5D	. UNION	2		
	MS28778-4	. PACKING	2		
- 7	65A33805-2	. TUBE ASSY, OVBO VENT	1		
- 8	65A33805-1	. TUBE ASSY, OVBO VENT	1		
- 9	AN516-8D	. NIPPLE	2	35	60
- 10		. VALVE ASSY, LIQUID OXYGEN PRESSURE BUILDUP AND VENT SEE FIG. 2.19-2 INDEX 8	RF		
- 11	3-92490-25	. TUBE ASSEMBLY	1	35	60
- 12	AN837-5D	. ELBOW	3	35	60
	AN924-5D	. NUT	3	35	60
	AN9510816	. WASHER	3	35	60
- 13		. CONVERTER ASSY, LIQUID TO GASEOUS OXYGEN SEE FIG. 2.19-1 INDEX 6	RF		
- 14	AN822-5D	. ELBOW	1	35	60
- 15	3-92490-17	. TUBE ASSEMBLY	1	35	60
- 16	AN818-5D	. NIPPLE	1	35	60
- 17	65A33806-2	. TUBE ASSY, FILLER	1		
- 18	AN815-6D	. UNION	2		
	MS28778-6	. PACKING	2		
- 19	AN93804	. TEE	1		
- 20	65A33806-1	. TUBE ASSY, FILLER	1		
- 21	AN919-7D	. REDUCER	1		
	MS28778-8	. PACKING	1		
- 22	65A33807-2	. TUBE ASSY, DRAIN	1		
- 23	MS21310D05	. CLAMP	1		
		ATTACHING PARTS			
	MS35927-26H	. SCREW	1		
	NAS43003-44	. SPACER	1		
	MS21342L3	. NUT	1		
		----X----			
- 24	MS2440005	. NUT	1		
- 25	64034605-1	. BRACKET	1		
- 26	200-3001-11	. VALVE, DRAIN, SEE FIG. 2.19-2, INDEX 15	RF		
- 27	MS28922-6D	. ELBOW	1		
- 28	65A33807-1	. TUBE ASSY, DRAIN	1		
- 29	AN919-12D	. REDUCER	1		
	MS28778-9	. PACKING	1		
- 30	AN933-5D	. ELBOW	1	35	60
	AN924-6D	. NUT	1	35	60
	AN9000916	. WASHER	1	35	60
- 31	3-92490-23	. TUBE ASSY	1	35	60
- 32	3-92490-13	. TUBE ASSY	1	35	60

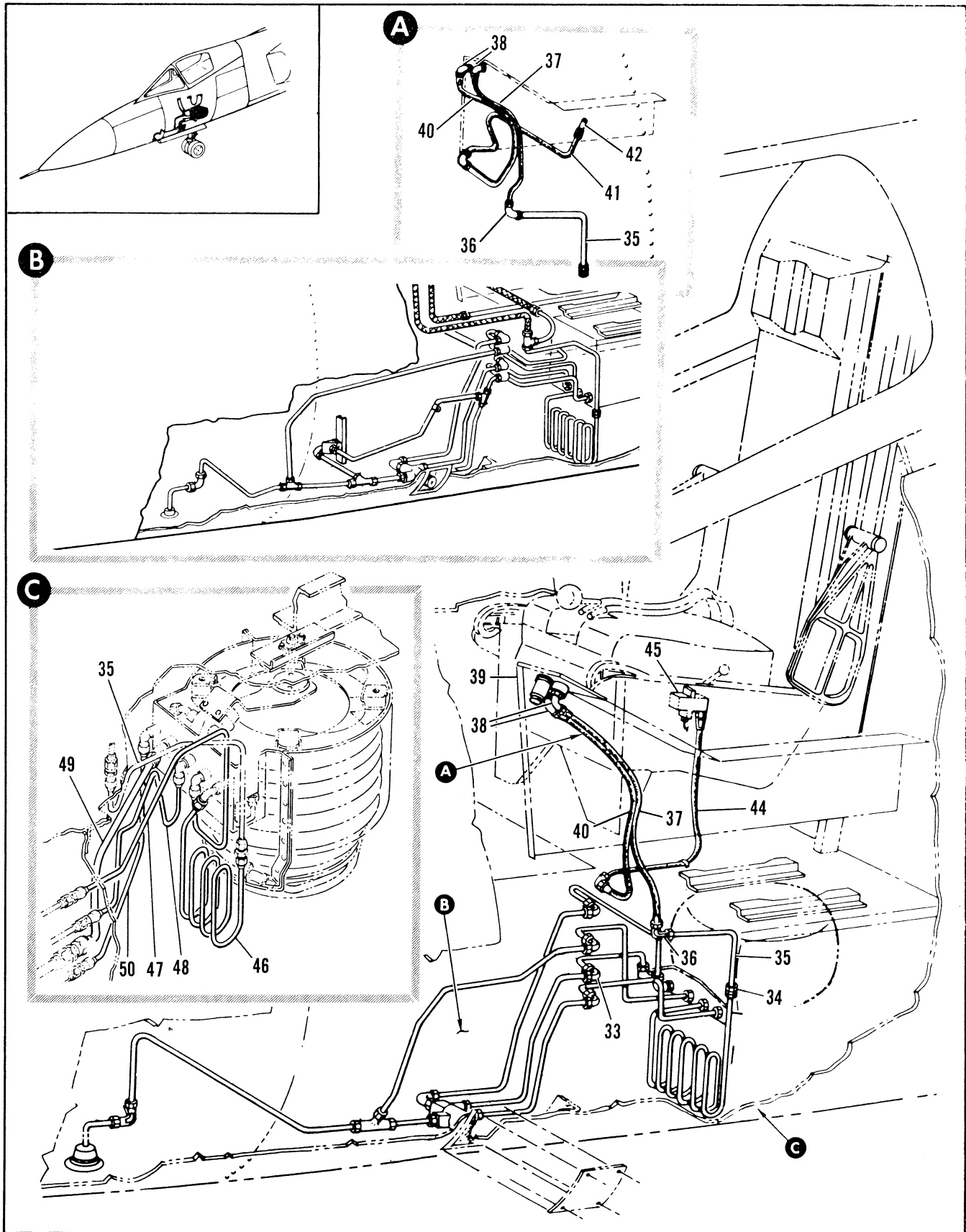


Figure 2.19-3. Liquid Oxygen Tubing Installation (Sheet 2 of 2)

FIGURE AND INDEX NUMBER	PART NUMBER	DESCRIPTION	UNITS PER ASSY.	USABLE ON CODE	
				FROM	TO
				1	2
2.19-3- 33	AN833-8D	• ELBOW	1	35	60
	AN924-8D	• NUT	1	35	60
	AN960D1216	• WASHER	1	35	60
- 34	AN815-5D	• UNION	1	35	60
- 35	8-92490-31	• TUBE ASSEMBLY	1	35	60
- 36	AN833-5D	• ELBOW	1	35	60
	AN924-5D	• NUT	2	35	60
	AN960D816	• WASHER	2	35	60
- 37	AN6039-5-24	• HOSE ASSEMBLY	1	35	60
- 38	AN823-5D	• ELBOW	2	35	60
- 39		• PANEL ASSY, LIQUID OXYGEN CONTROL	RF		
- 40	AN6039-5-32	• HOSE ASSEMBLY	1	35	60
- 41	AN6039-5-32	• HOSE ASSY	1		
- 42		• DISCONNECT, G AND VENT SUIT	RF		
- 43	AN742-20	• CLAMP	1		
		ATTACHING PARTS			
	MS20364-1032	• NUT	1		
	AN961-102	• WASHER	1		
	NAS221-10	• SCREW	1		
		-----X-----			
- 44	MS24548-5-40	• HOSE ASSEMBLY	1	35	
- 45		• DISCONNECT, SURVIVAL KIT CONTAINER TO AIRPLANE SEE FIG. 2.4-11 INDEX 2	RF		
			RF		
- 46	66A38397-1	• TUBE ASSY, SUPPLY	1		
- 47	66A38396-1	• TUBE ASSY, BUILDUP	1		
- 48	66A38399-1	• TUBE ASSY, PRESSURE RELIEF	1		
- 49	66A38398-1	• TUBE ASSY, VENT	1		
- 50	66A38395-1	• TUBE ASSY, FILLER	1		

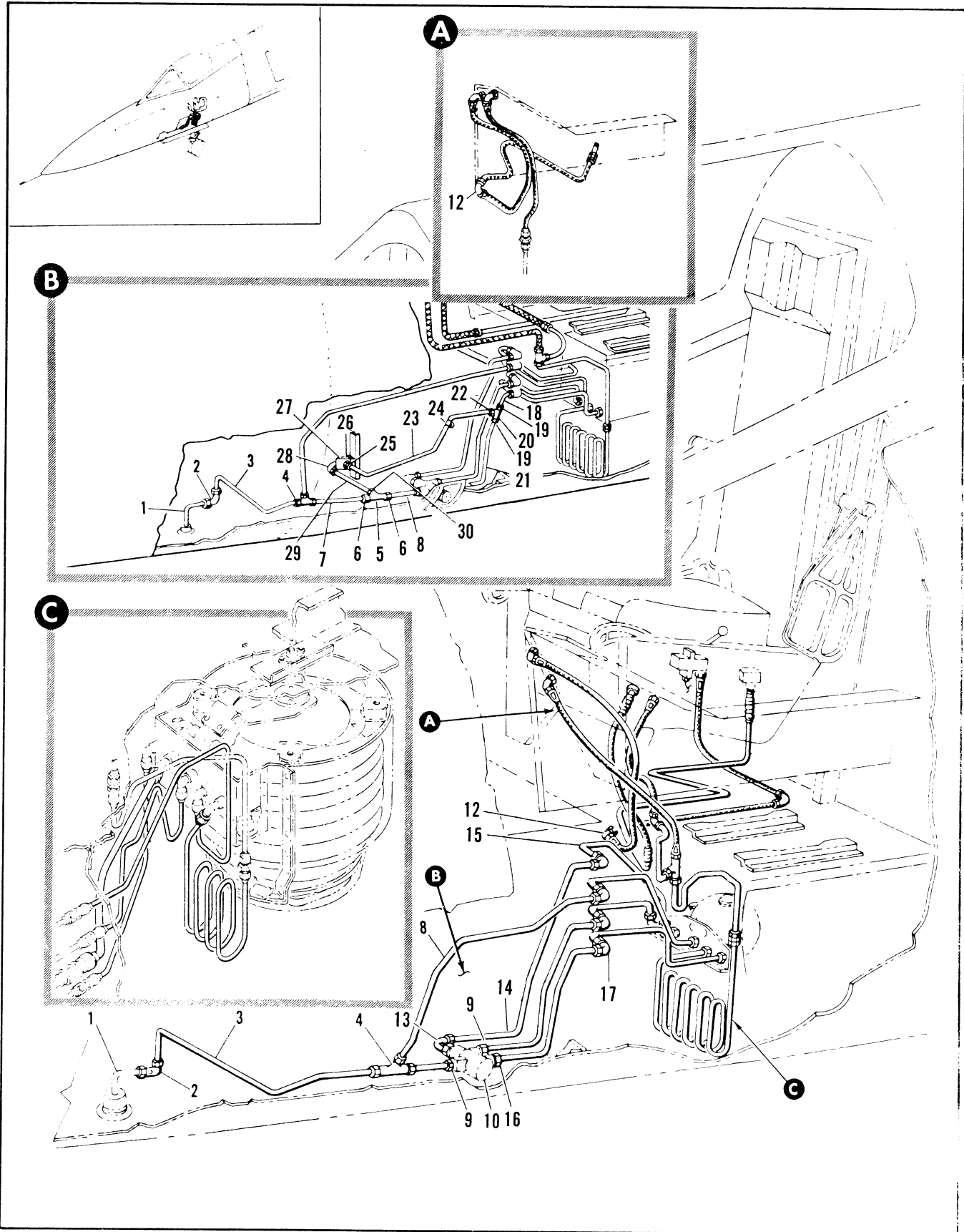


Figure 2.19-4. Liquid Oxygen Tubing Installation (Sheet 1 of 2)

FIGURE AND INDEX NUMBER	PART NUMBER	DESCRIPTION 1 2 3 4 5 6	UNITS PER ASSY.	USABLE ON CODE	
				FROM	TO
2.19-4	8-92490-1	TUBING INSTL. LIQUID OXYGEN MODIFIED BY 66J32401 FOR NHA SEE FIG. 2.3-4	RF		
- 1		• TUBE ASSY, LIQUID OXYGEN OVERBOARD VENT SEE FIG. 2.19-3 INDEX 3	RF		
- 2	AN837-8D	• ELBOW	1	61	89
	AN924-8D	• NUT	1	61	89
	AN960D1216	• WASHER	1	61	89
- 3	8-92490-32	• TUBE ASSEMBLY	1	61	89
- 4	8-92470	• TEE, ALTERED FROM AN824-8D	1	61	89
- 5	AN938D8	• TEE	1		
- 6	AN815-8D	• UNION	2		
	MS28774-8	• PACKING	2		
- 7	65A33805-2	• TUBE ASSY, OVRD VENT	1		
- 8	65A33805-1	• TUBE ASSY, OVRD VENT	1		
- 9	AN816-8D	• NIPPLE	2	61	89
- 10		• VALVE ASSY, LIQUID OXYGEN PRESSURE BUILDUP AND VENT SEE FIG. 2.19-2 INDEX 8	RF		
- 11	8-92490-25	• TUBE ASSEMBLY	1	61	89
- 12	AN837-8D	• ELBOW	4	61	89
	AN924-5D	• NUT	4	61	89
	AN960D816	• WASHER	4	61	89
- 13	AN822-8D	• ELBOW	1	61	89
- 14	8-92490-17	• TUBE ASSEMBLY	1	61	89
- 15	8-92490-19	• TUBE ASSEMBLY	1	61	89
- 16	AN816-6-6D	• NIPPLE	1	61	89
- 17	AN833-8D	• ELBOW	1		
	AN924-8D	• NUT	1		
	AN960D1216	• WASHER	1		
- 18	65A33806-2	• TUBE ASSY, FILLER	1		
- 19	AN815-6D	• UNION	2		
	MS28774-6	• PACKING	2		
- 20	AN938D6	• TEE	1		
- 21	65A33806-1	• TUBE ASSY, FILLER	1		
- 22	AN919-7D	• REDUCER	1		
	MS28778-8	• PACKING	1		
- 23	65A33807-2	• TUBE ASSY, DRAIN	1		
- 24	MS21219D65	• CLAMP	1		
		ATTACHING PARTS			
	MS35027-268	• NUT	1		
	NAS43003-44	• SPACER	1		
	MS21042L3	• NUT	1		
		-----X-----			
- 25	MS24400D5	• NUT	1		
- 26	64C33605-1	• BRACKET	1		
- 27	23C-0001-11	• VALVE, DRAIN, SEE FIG. 2.19-2, INDEX 15	RF		
- 28	MS21822-6D	• ELBOW	1		
- 29	65A33807-1	• TUBE ASSY, DRAIN	1		
- 30	AN919-12D	• REDUCER	1		
	MS28773-8	• PACKING	1		

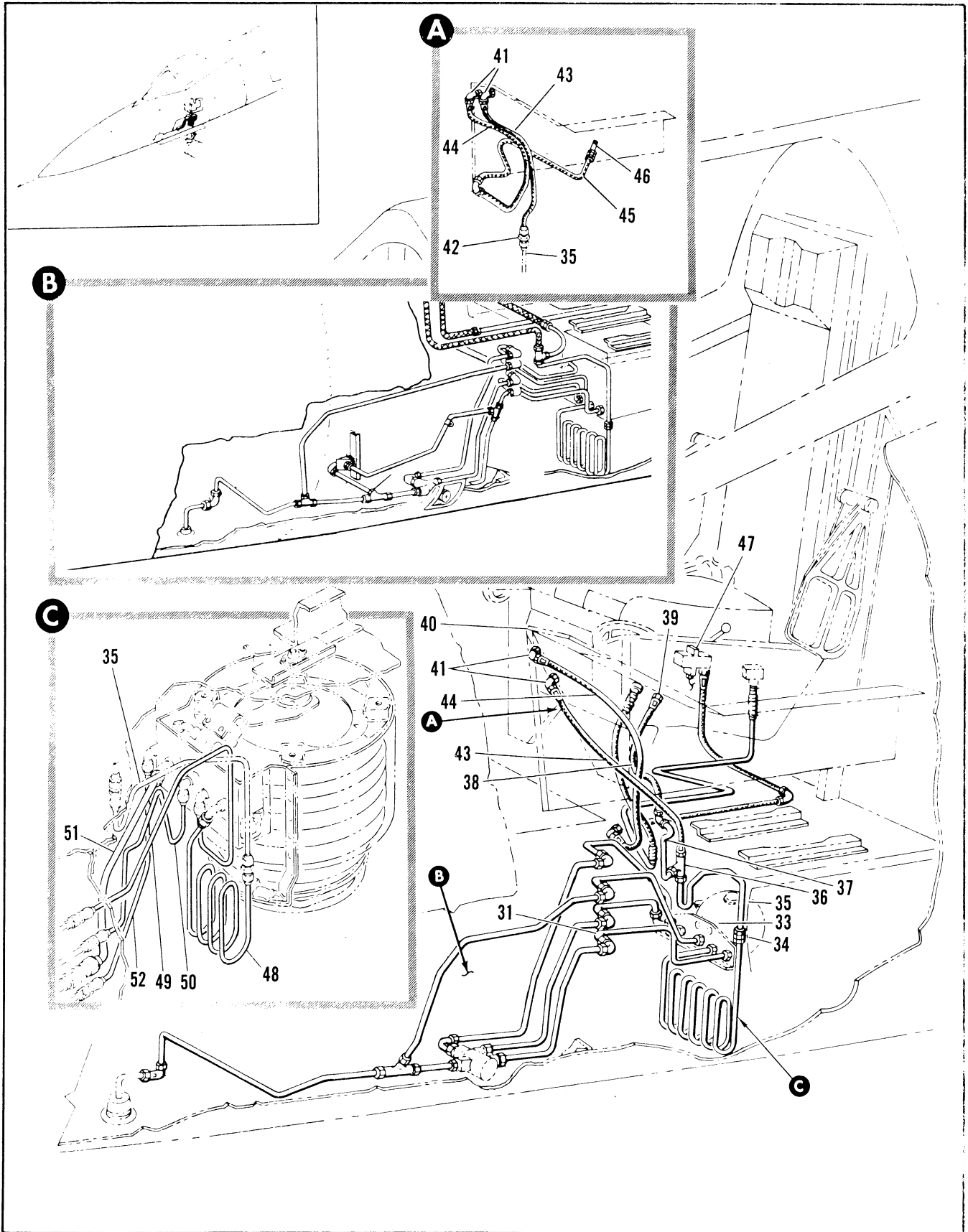


Figure 2.19-4. Liquid Oxygen Tubing Installation (Sheet 2 of 2)

FIGURE AND INDEX NUMBER	PART NUMBER	DESCRIPTION	UNITS PER ASSY.	USABLE ON CODE	
				FROM	TO
		1 2 3 4 5 6			
2.19-4- 31	R-92490-13	• TUBE ASSEMBLY	1	61	89
- 32	AN833-8D	• ELBOW	1	61	89
	AN924-9D	• NUT	1	61	89
	AN96301216	• WASHER	1	61	89
- 33		• CONVERTER ASSY, LIQUID TO GASEOUS OXYGEN SEE FIG. 2.19-1 INDEX 6	RF		
- 34	AN815-5D	• UNION	2	61	89
- 35	R-92490-57	• TUBE ASSEMBLY	1	61	89
- 36	AN82405	• TEE	1	61	89
	AN924-5D	• NUT	1	61	89
	AN9600514	• WASHER	1	61	89
- 37	R-92490-55	• TUBE ASSEMBLY	1	61	89
- 38	AN6039-5-14	• HOSE ASSEMBLY	1	61	89
- 39	AN816-5D	• NIPPLE	1	61	89
- 40		• PANEL ASSY, LIQUID OXYGEN CONTROL SEE FIG. 2.16-8 INDEX 3	RF		
- 41	AN823-5D	• ELBOW	2	61	89
- 42	AN832-5D	• UNION	1		
	AN924-5D	• NUT	1		
	AN950-81E	• WASHER	1		
- 43	AN6039-5-24	• HOSE ASSEMBLY	1	61	89
- 44	AN6039-5-32	• HOSE ASSEMBLY	1	61	89
- 45	AN6039-5-32	• HOSE ASSEMBLY	1		
- 46		• DISCONNECT, G AND VENT SUIT SEE FIG. 2.4-13 INDEX 5	RF		
- 47		• DISCONNECT, SURVIVAL KIT CONTAINER TO AIRPLANE SEE FIG. 2.4-12 INDEX 2	RF		
- 48	66A39397-1	• TUBE ASSY, SUPPLY	1		
- 49	66A39396-1	• TUBE ASSY, BUILDUP	1		
- 50	66A39399-1	• TUBE ASSY, PRESSURE RELIEF	1		
- 51	66A39398-1	• TUBE ASSY, VENT	1		
- 52	66A39395-1	• TUBE ASSY, FILLER	1		

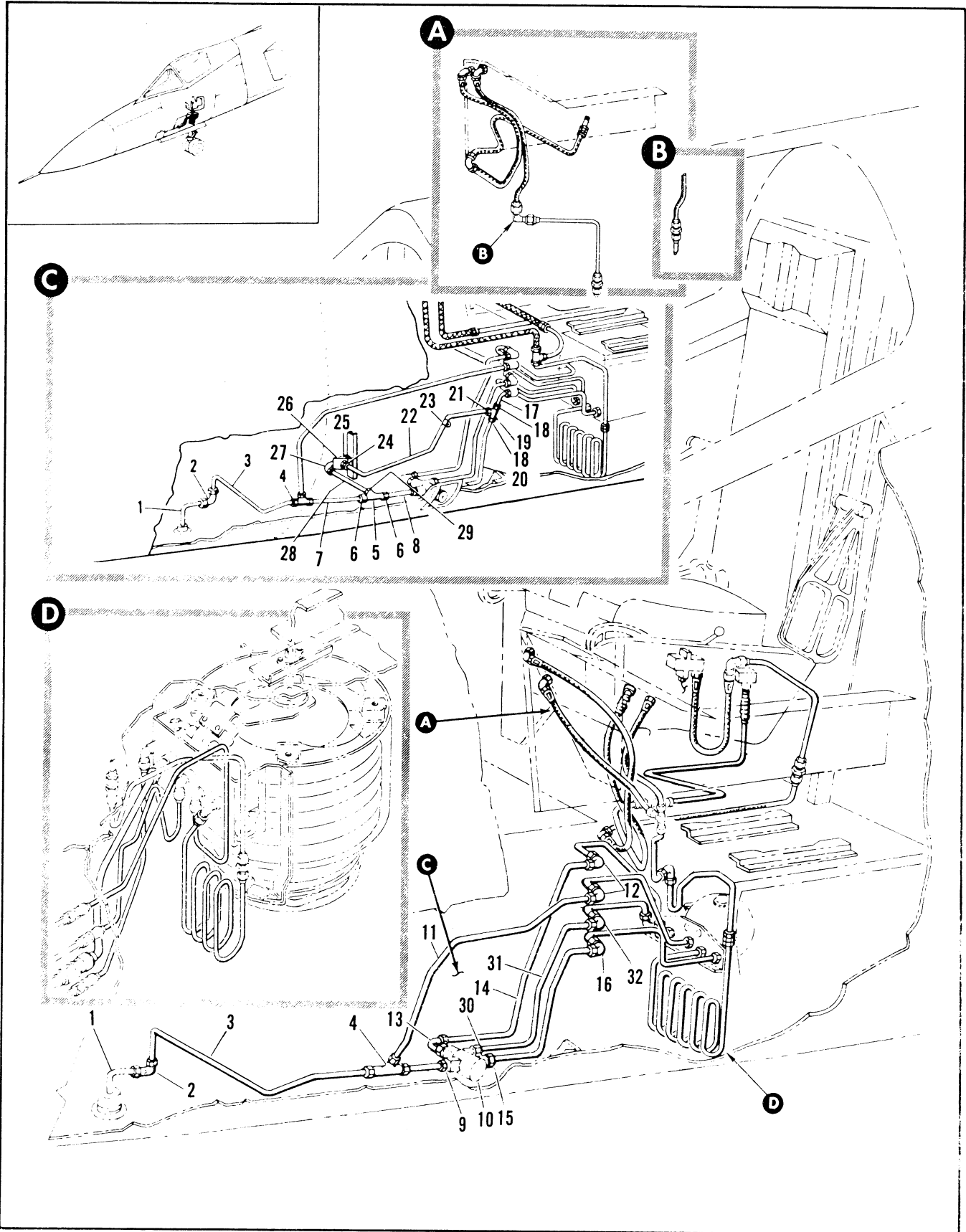


Figure 2.19-5. Liquid Oxygen Tubing Installation (Sheet 1 of 2)

FIGURE AND INDEX NUMBER	PART NUMBER	DESCRIPTION	UNITS PER ASSY.	USABLE ON CODE	
				FROM	TO
2.19-5	8-92490-3	TUBING INSTL, LIQUID OXYGEN MODIFIED BY 66J38401 FOR NHA SEE FIG. 2.3-4	RF	90	
- 1		• TUBE ASSY, LIQUID OXYGEN OVERBOARD VENT SEE FIG. 2.19-2 INDEX 3	RF		
- 2	AN837-8D	• ELBOW	1	90	
	AN924-8D	• NUT	1	90	
	AN96301216	• WASHER	1	90	
- 3	8-92490-39	• TUBE ASSEMBLY	1	90	
- 4	8-92470	• TEE, ALTERED FROM AN824-8D	1	90	
- 5	AN93808	• TEE	1		
- 6	AN915-8D	• UNION	2		
	MS28778-A	• PACKING	2		
- 7	65A33805-2	• TUBE ASSY, OVRD VENT	1		
- 8	65A33805-1	• TUBE ASSY, OVRD VENT	1		
- 9	AN816-8D	• NIPPLE	1	90	
- 10		• VALVE ASSY, LIQUID OXYGEN PRESSURE BUILDUP AND VENT SEE FIG. 2.19-2 INDEX 8	RF		
- 11	8-92490-25	• TUBE ASSEMBLY	1	90	
- 12	AN837-8D	• ELBOW	2	90	
	AN924-8D	• NUT	2	90	
	AN96301216	• WASHER	2	90	
- 13	AN822-8D	• ELBOW	1	90	
- 14	8-92490-17	• TUBE ASSEMBLY	1	90	
- 15	AN816-6-60	• NIPPLE	1	90	
- 16	AN833-8D	• ELBOW	1		
	AN924-8D	• NUT	1		
	AN96301216	• WASHER	1		
- 17	65A33806-2	• TUBE ASSY, FILLER	1		
- 18	AN815-6D	• UNION	2		
	MS28778-B	• PACKING	2		
- 19	AN93806	• TEE	1		
- 20	65A33806-1	• TUBE ASSY, FILLER	1		
- 21	AN919-7D	• REDUCER	1		
	MS28778-B	• PACKING	1		
- 22	65A33807-2	• TUBE ASSY, DRAIN	1		
- 23	MS21919055	• CLAMP	1		
		ATTACHING PARTS			
	MS35027-26A	• NUT	1		
	NAS43003-44	• SPACER	1		
	MS21042L3	• NUT	1		
		-----X-----			
- 24	MS2440005	• NUT	1		
- 25	64C33605-1	• BRACKET	1		
- 26	20C-1001-111	• VALVE, DRAIN, SEE FIG. 2.19-2, INDEX 15	RF		
- 27	MS20822-6D	• ELBOW	1		
- 28	65A33807-1	• TUBE ASSY, DRAIN	1		
- 29	AN919-12D	• REDUCER	1		
	MS28778-B	• PACKING	1		
- 30	AN816-6D	• NIPPLE	1	90	
- 31	8-92490-13	• TUBE ASSEMBLY	1	90	
- 32	AN833-8D	• ELBOW	1	90	
	AN924-8D	• NUT	1	90	
	AN96301216	• WASHER	1	90	

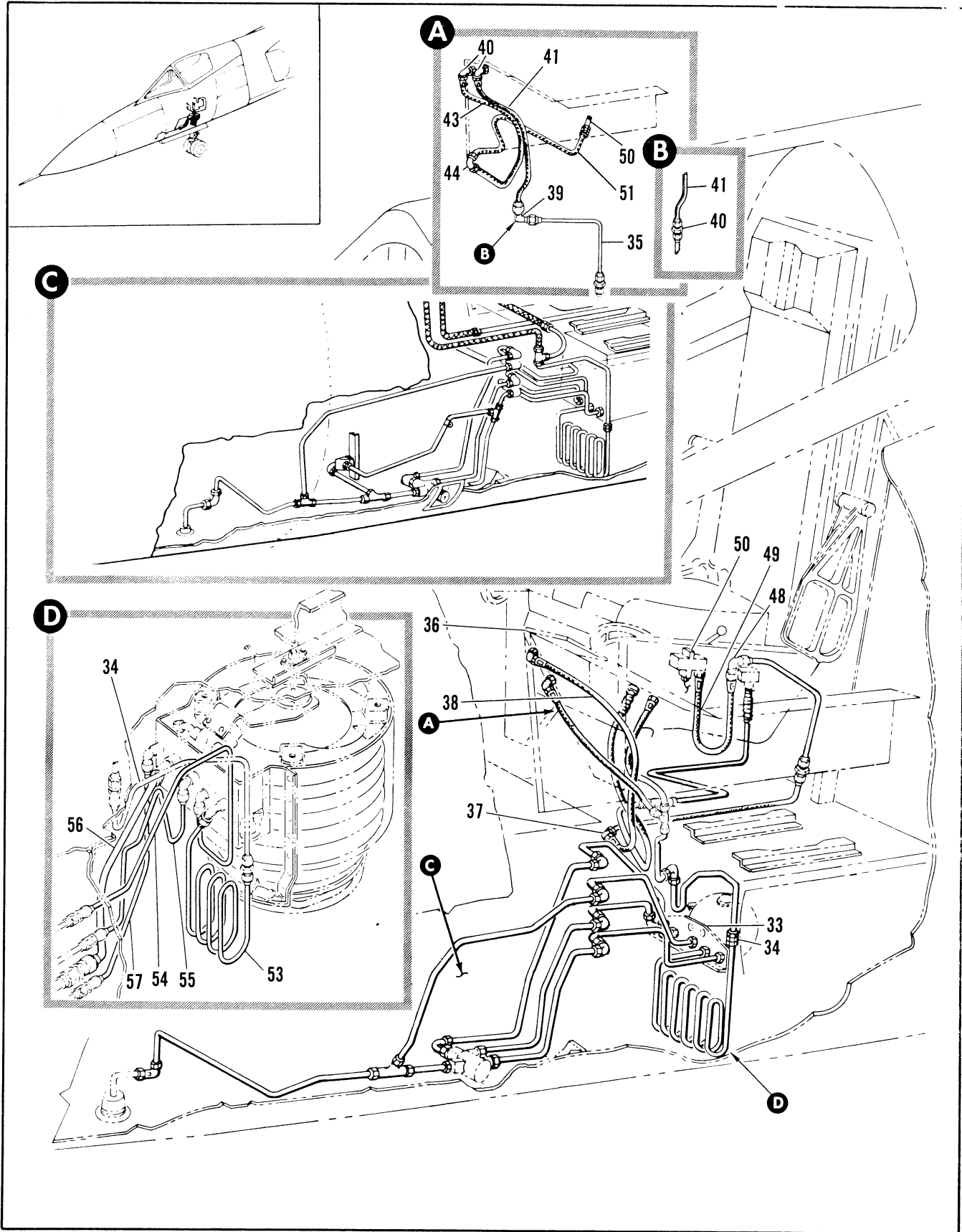


Figure 2.19-5. Liquid Oxygen Tubing Installation (Sheet 2 of 2)

FIGURE AND INDEX NUMBER	PART NUMBER	DESCRIPTION	UNITS PER ASSY.	USABLE ON CODE	
				FROM	TO
2.19-5- 33		• CONVERTER ASSY, LIQUID TO GASEOUS OXYGEN SEE FIG. 2.19-1 INDEX 10	RF		
- 34	AN815-5D	• UNION	1	90	
- 35	8-92490-31	• TUBE ASSEMBLY	1		
- 35		• PANEL ASSY, LIQUID OXYGEN CONTRL	RF		
- 37	AN823-5D	• ELBOW	2	90	129
- 38	AN6039-5-32	• HOSE ASSEMBLY	1	90	129
- 39	AN833-5D	• ELBOW	1	130	188
- 40	AN832-5D	• UNION	1	189	
	AN924-5D	• NUT	2	130	
	AN9610816	• WASHER	2	130	
- 41	AN6039-5-24	• HOSE ASSEMBLY	1	130	
- 42	AN823-5D	• ELBOW	2	130	
- 43	AN6039-5-32	• HOSE ASSEMBLY	1	130	
- 44	AN837-5D	• ELBOW	1	90	240
	AN833-5D	• ELBOW	1	241	
	AN924-5D	• NUT	1	90	
	AN9610816	• WASHER	1	90	
- 45	8-92490-37	• TUBE ASSEMBLY	1	90	188
- 46	AN815-5D	• UNION	1	90	188
- 47	8-92490-41	• TUBE ASSEMBLY	1	90	188
- 48	AN833-5D	• ELBOW	1	90	188
	AN924-5D	• NUT	1	90	188
	AN9610816	• WASHER	1	90	188
- 49	AN6039-5-24	• HOSE ASSEMBLY	1	90	188
- 50		• DISCONNECT, SURVIVAL KIT CONTAINER TO AIRPLANE SEE FIG. 2.4-11 INDEX 2	RF		
- 51	AN6039-5-32	• HOSE ASSEMBLY	1	189	
- 52		• DISCONNECT, G AND VENT SUIT	RF		
- 53	66A34397-1	• TUBE ASSY, SUPPLY	1		
- 54	66A34396-1	• TUBE ASSY, BUILDUP	1		
- 55	66A34399-1	• TUBE ASSY, PRESSURE RELIEF	1		
- 56	66A34398-1	• TUBE ASSY, VENT	1		
- 57	66A34395-1	• TUBE ASSY, FILLER	1		

